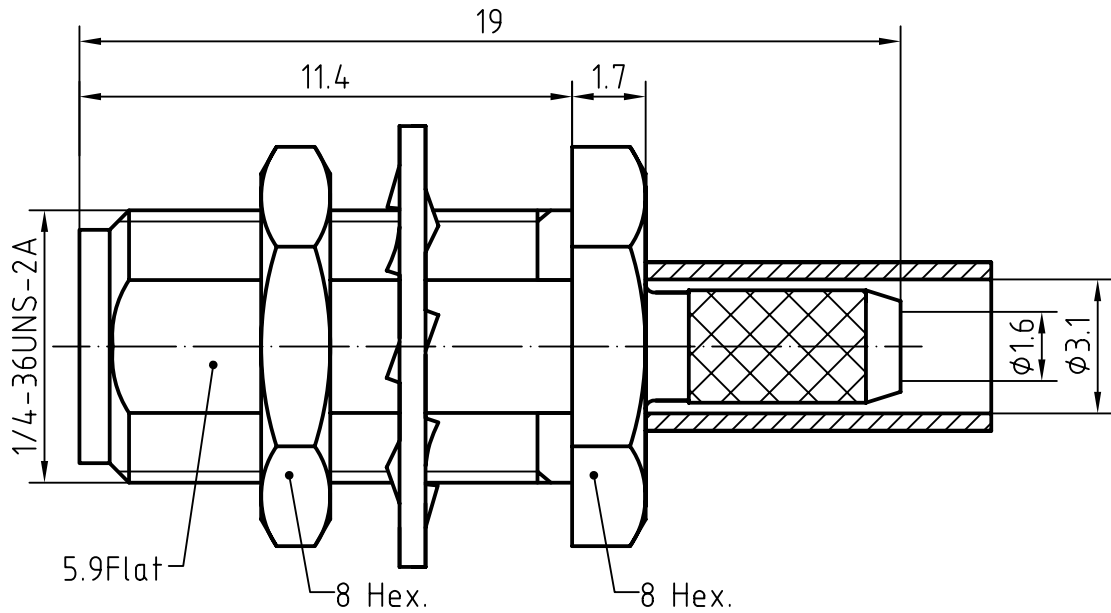
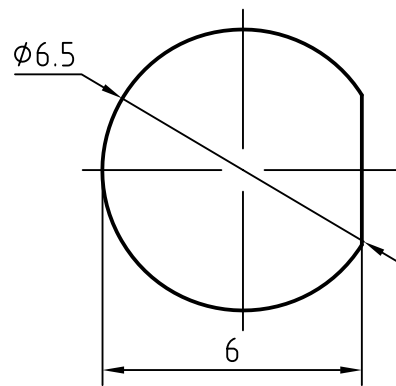
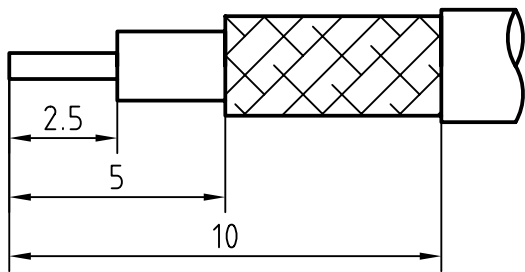


DRAWING



CABLE(RG174A/U, RG188A/U, RG316/U)

MOUNTING HOLE



5	1	Nut	Drass/Gold plated	
4	1	Washer	Beryllium bronze/Gold plated	
3	1	Body	Brass/Gold plated	
2	1	Insulator	PTFE	
1	1	Center contact	Beryllium copper/Gold plated	
Itemref	Quantity	Title/Name, designation, material, dimension etc		Article No./Reference

Designed by
xio xang

Checked by
jing lo

Approved by - date
jing chan

File name
SMA-112110A

Date
06.08.30

Scale
5:1

RF CONNEC

SMA-112110A

Edition
1.0

Sheet
1/1

CHARACTERISTICS

DESCRIPTION:

SMA Type female BH connector

Electrical data:

<i>Impedance:</i>	<i>50 ohm</i>
<i>Frequency range:</i>	<i>DC to 12.4 GHz</i>
<i>VSWR:</i>	<i>$< 1.05 + 0.04 \times f$ [GHz]</i>
<i>Insertion loss:</i>	<i>$< 0.06X \sqrt{f}$ [GHz] dB</i>
<i>Insulation resistance:</i>	<i>$> 5000M\Omega$</i>
<i>Test voltage:</i>	<i>1000 V rms</i>
<i>Working voltage:</i>	<i>480 V rms</i>
<i>Contact resistance:</i>	
1). <i>Centre contact:</i>	<i>3.0 mΩ</i>
2). <i>Outer conductor:</i>	<i>2.5 mΩ</i>
<i>Power handling (at 20 ° C, sea level, VSWR 1.0)</i>	<i>$< 200 W @ 2 GHz$</i>
<i>RF-leakage:</i>	<i>$> 100 dB$ up to 1 GHz</i>

Environmental data:

<i>Temperature rating:</i>	<i>-55 ° C to +155 ° C</i>
<i>2002/95/EC (RoHS):</i>	<i>Compliant</i>

Mechanical data:

<i>Mating cycles:</i>	<i>> 500</i>
<i>Coupling nut retention:</i>	<i>$> 270 N$</i>
<i>Center contact captivation:</i>	<i>$> 27 N$(axial)</i>
<i>Coupling test torque:</i>	<i>$< 1.7 Nm$</i>
<i>Recommended torque:</i>	<i>0.8 Nm to 1.1 Nm</i>
<i>Suitable cables:</i>	<i>RG174A/U, RG188A/U, RG316/U</i>