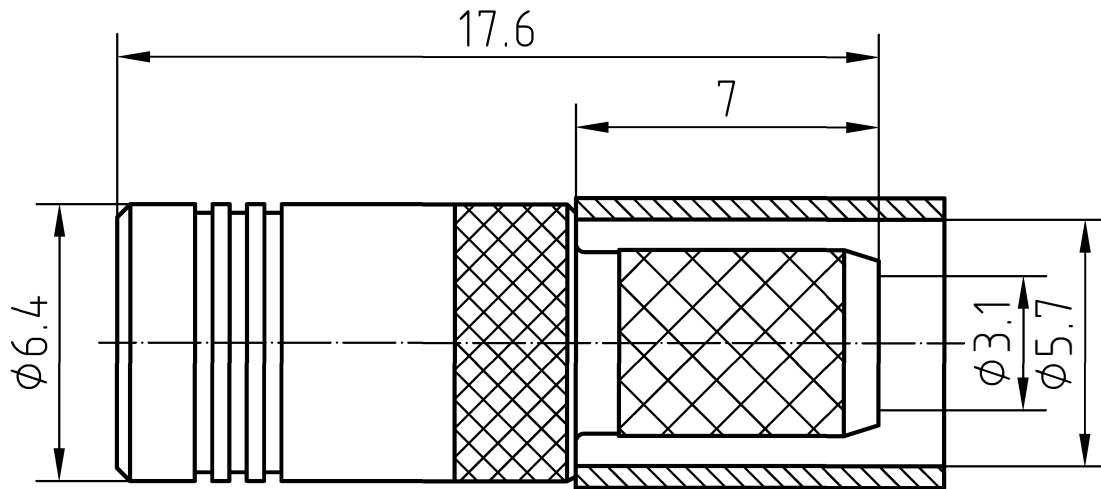
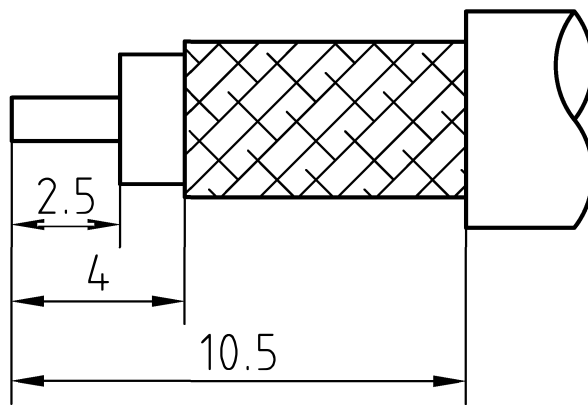


DRAWING



CABLE(RG223/U)



3	1	Body	Brass/Gold plated	
2	1	Insulator	PTFE	
1	1	Center contact	Beryllium copper/Gold plated	
Itemref	Quantity	Title/Name, designation, material, dimension etc		Article No./Reference

Designed by Xio Xang	Checked by Jing Lo	Approved by Jing Chan	File name SMB-112100B	Date 09.03.07	Scale 6 : 1
-------------------------	-----------------------	--------------------------	--------------------------	------------------	----------------

	SMB-112100B	
	Edition 1.0	Sheet 1/1

CHARACTERISTICS

DESCRIPTION: SMB Type female connector

Electrical data:

<i>Impedance:</i>	<i>50 ohm</i>
<i>Frequency range:</i>	<i>DC to 4 GHz</i>
<i>Return loss:</i>	<i>≥ 28 dB, DC to 1 GHz</i> <i>≥ 22 dB, 1 to 4 GHz</i> <i>≥ 20 dB, 1 to 4 GHz</i>
<i>Insertion loss:</i>	<i>≤ 0.1 × √ f[GHz] dB, DC to 4 GHz</i>
<i>Insulation resistance:</i>	<i>≥ 1000MΩ</i>
<i>Test voltage:</i>	<i>750 V rms</i>
<i>Working voltage:</i>	<i>250 V rms</i>
<i>Contact resistance:</i>	
1). <i>Centre contact:</i>	<i>5 mΩ</i>
2). <i>Outer conductor:</i>	<i>2 mΩ</i>
<i>RF-leakage :</i>	<i>≥ 55 dB up to 1 GHz</i>

Environmental data:

<i>Temperature rating:</i>	<i>-55° C to +155° C</i>
<i>2002/95/EC (RoHS):</i>	<i>Compliant</i>

Mechanical data:

<i>Mating cycles:</i>	<i>≥ 500</i>
<i>Center contact captivation:</i>	<i>≥ 10 N(axial)</i>
<i>Engagement force :</i>	<i>≤ 63 N</i>
<i>Disengagement force :</i>	<i>8 N min. to 63 N max.</i>

Suitable cables:

RG223/U