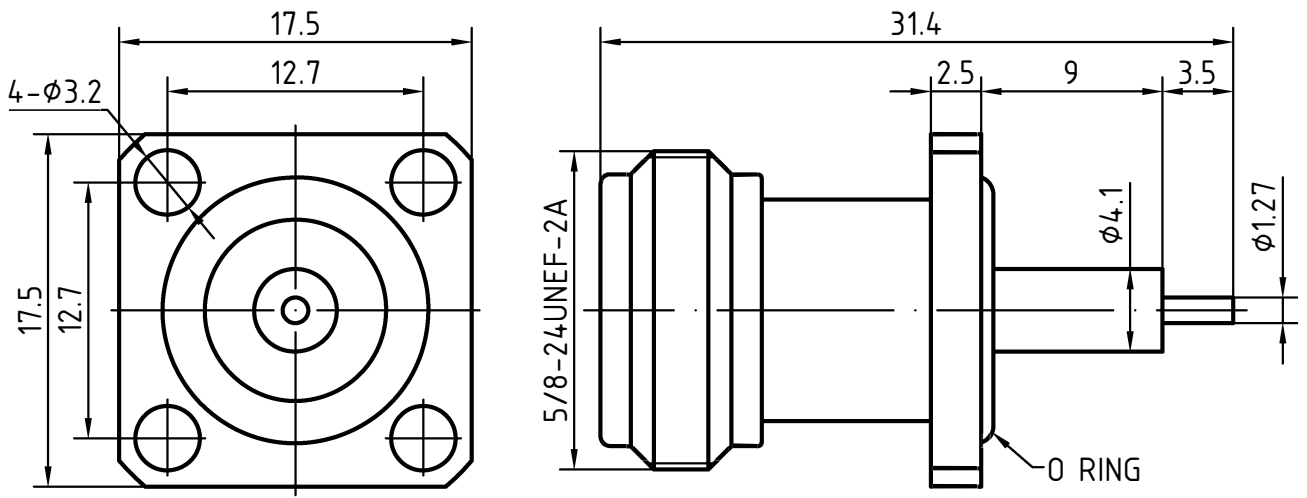


DRAWING

A

A



B

B

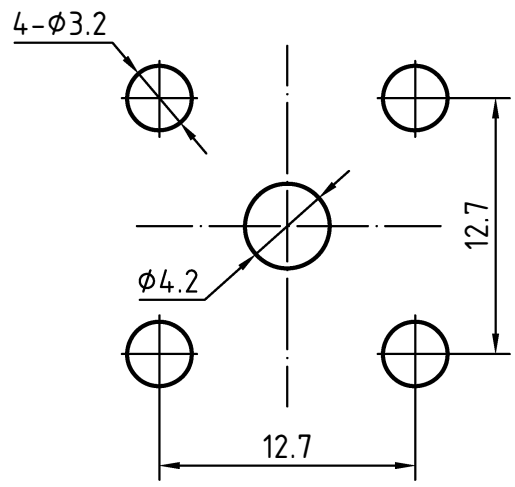
C

C

MOUNTING HOLE

D

D



E

E

4	1	O ring	Silicone rubber	
3	1	Body	Brass/Nickel plated	
2	1	Insulator	PTFE	
1	1	Center pin	Phosphor bronze/Gold plated	

Itemref	Quantity	Title/Name, designation, material, dimension etc	Article No./Reference
---------	----------	--	-----------------------

F

F

Designed by Xio Xang	Checked by Jing Lo	Approved by Jing Chan	File name N-232142	Date 10.11.18	Scale 3 : 1
-------------------------	-----------------------	--------------------------	-----------------------	------------------	----------------

	<b>N-232142</b>	
	Edition 1.0	Sheet 1/1

# CHARACTERISTICS

DESCRIPTION: N Type female FL connector

## Electrical data:

<i>Impedance:</i>	<i>50 ohm</i>
<i>Frequency range:</i>	<i>DC to 11 GHz</i>
<i>VSWR:</i>	<i><math>\leq 1.1 + 0.01 \times f</math> [GHz]</i>
<i>Insertion loss:</i>	<i><math>\leq 0.25</math>dB</i>
<i>Insulation resistance:</i>	<i><math>\geq 5000</math>M<math>\Omega</math></i>
<i>Test voltage:</i>	<i>2500 V rms</i>
<i>Working voltage:</i>	<i>1400 V rms</i>
<i>Contact resistance:</i>	
1). <i>Centre contact:</i>	<i>1.0 m<math>\Omega</math></i>
2). <i>Outer conductor:</i>	<i>0.25 m<math>\Omega</math></i>

## Environmental data:

<i>Temperature rating:</i>	<i>-65 ° C to +165 ° C</i>
<i>52/ 95/EQ(RoHS):</i>	<i>Compliant</i>

## Mechanical data:

<i>Mating cycles:</i>	<i><math>\geq 500</math></i>
<i>Center contact captivation(axial):</i>	<i><math>\geq 28</math> N</i>
<i>Coupling nut retention:</i>	<i><math>\geq 450</math> N</i>
<i>Coupling test torque:</i>	<i><math>\leq 1.7</math> Nm</i>
<i>Recommended torque:</i>	<i>0.7 Nm to 1.1 Nm</i>

## Suitable cables:

N/A