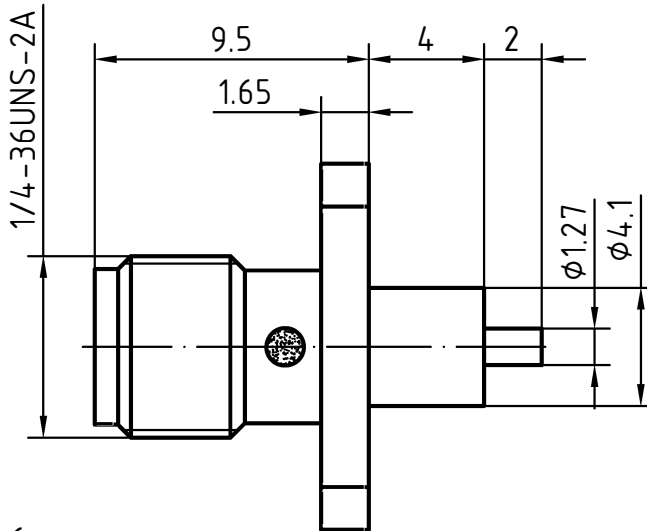
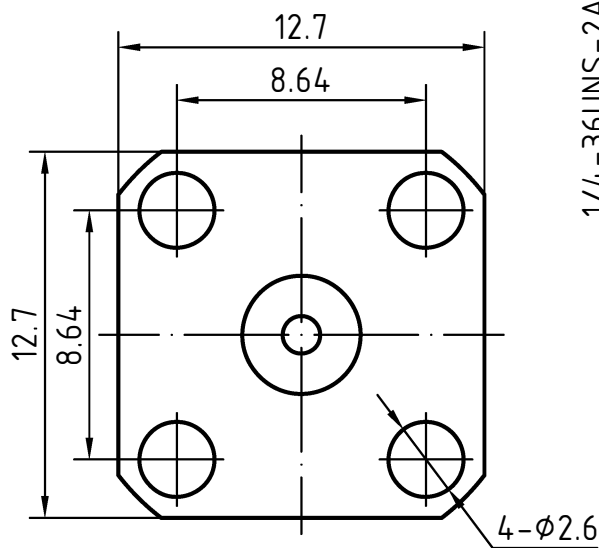
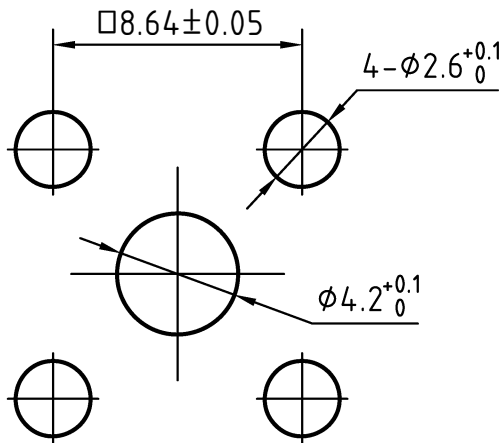


DRAWING



MOUNTING HOLE



3	1	Body	Brass/Gold plated	Gold 0.2um over Nickel 2.0um
2	1	Insulator	PTFE	
1	1	Center contact	Beryllium copper/Gold plated	Gold 0.5um over Nickel 2.0um

Designed by xio xang	Checked by jing lo	Approved by - date jing chan	File name SMA-232142(4)	Date 11.04.14	Scale 5 : 1
-------------------------	-----------------------	---------------------------------	----------------------------	------------------	----------------

	SMA-232142(4)	
	Edition 1.0	Sheet 1/1

