

DRAWING

A

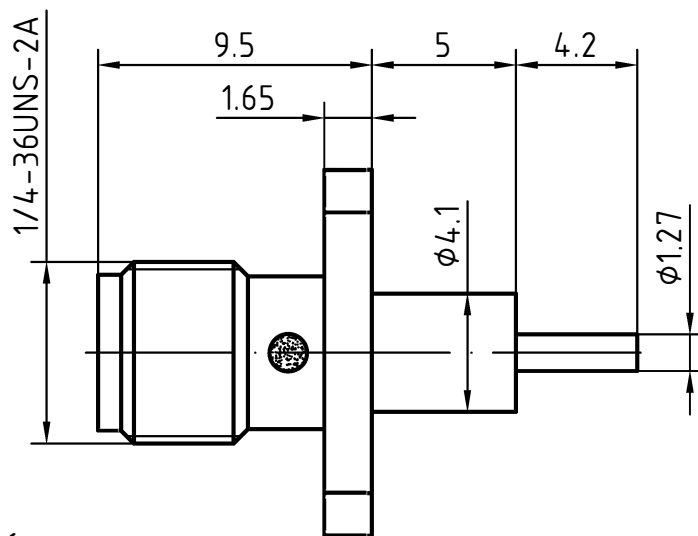
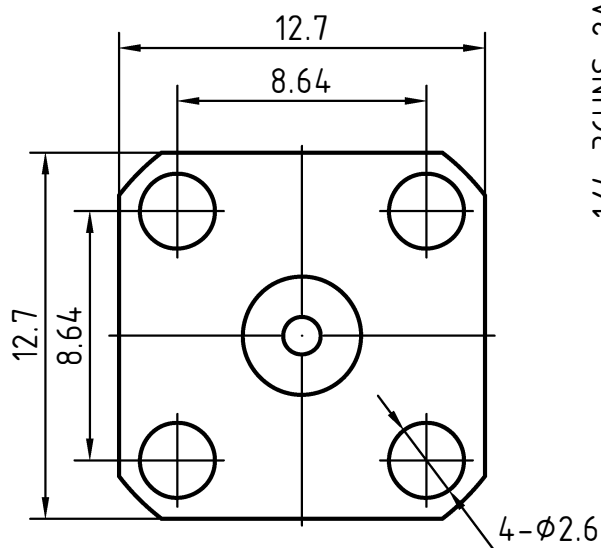
A

B

B

C

C



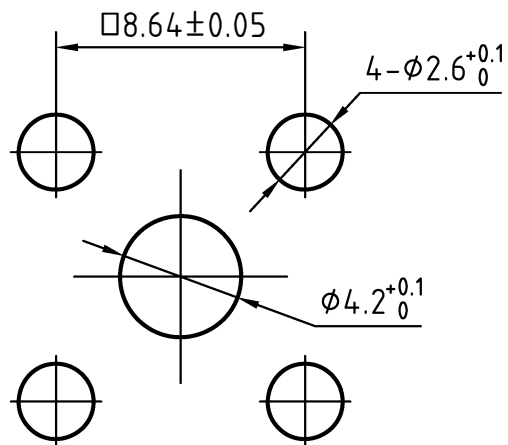
MOUNTING HOLE

D

D

E

E



3	1	Body	Brass/Gold plated
2	1	Insulator	PTFE
1	1	Center contact	Beryllium copper/Gold plated

F

F

Designed by Xio Xang	Checked by Jing Lo	Approved by - date Jing Chan	File name SMA-232142(5)	Date 13.10.10	Scale 5 : 1
			SMA-232142(5)		

CHARACTERISTICS

DESCRIPTION: SMA Type female FL connector

Electrical data:

Impedance:	50 ohm
Frequency range:	DC to 18.0 GHz
VAWR:	$\leq 1.04 + 0.02 \times f \text{ [GHz]}$
Insertion loss:	$\leq 0.08 \times \sqrt{f \text{ [GHz]}} \text{ dB}$
Insulation resistance:	$\geq 5000 \text{ M}\Omega$
Test voltage:	1000 V rms
Working voltage:	480 V rms
Contact resistance:	
1). Centre contact:	3 m Ω
2). Outer conductor:	2 m Ω
Power handling (at 20 ° C, sea level, VSWR 1.0):	$\leq 200 \text{ W @ 2 GHz}$
RF-leakage:	$\geq 100 \text{ dB up to 1 GHz}$

Environmental data:

Temperature rating:	-65 ° C to +165 ° C
2002/95/EC (RoHS):	Compliant

Mechanical data:

Mating cycles:	≥ 100
Center contact captivation(axial):	$\geq 20 \text{ N}$
(radial):	$\geq 1 \text{ Ncm}$
Coupling test torque:	$\leq 1.1 \text{ Nm}$
Recommended torque:	0.46~0.69 Nm

Suitable cables:

N/A