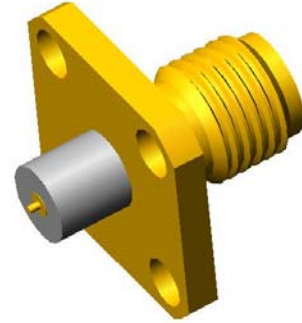


## Coaxial Straight Flange Connector: SMA-232142(4S)

### Description

Straight panel receptacle jack (female), flange mount



### Technical Data

#### Electrical Data

|                          |                               |
|--------------------------|-------------------------------|
| Impedance                | 50 $\Omega$                   |
| Interface frequency max. | 18 GHz                        |
| VSWR                     | 1.05+0.01 $\times$ f(GHz) max |
| Voltage rating           | 500 V(rms)                    |
| Test voltage             | 1000 V(rms)                   |

#### Contact resistance:

|                  |                        |
|------------------|------------------------|
| Center conductor | $\leq 3\text{m}\Omega$ |
| Out conductor    | $\leq 2\text{m}\Omega$ |

Insulation resistance  $\geq 5000\text{M}\Omega$

#### Mechanical Data

|            |            |
|------------|------------|
| Weight     | 3.3 g      |
| Durability | 500 Cycles |

#### Environmental Data

Operating Temperature -65  $^{\circ}\text{C}$  to 165  $^{\circ}\text{C}$

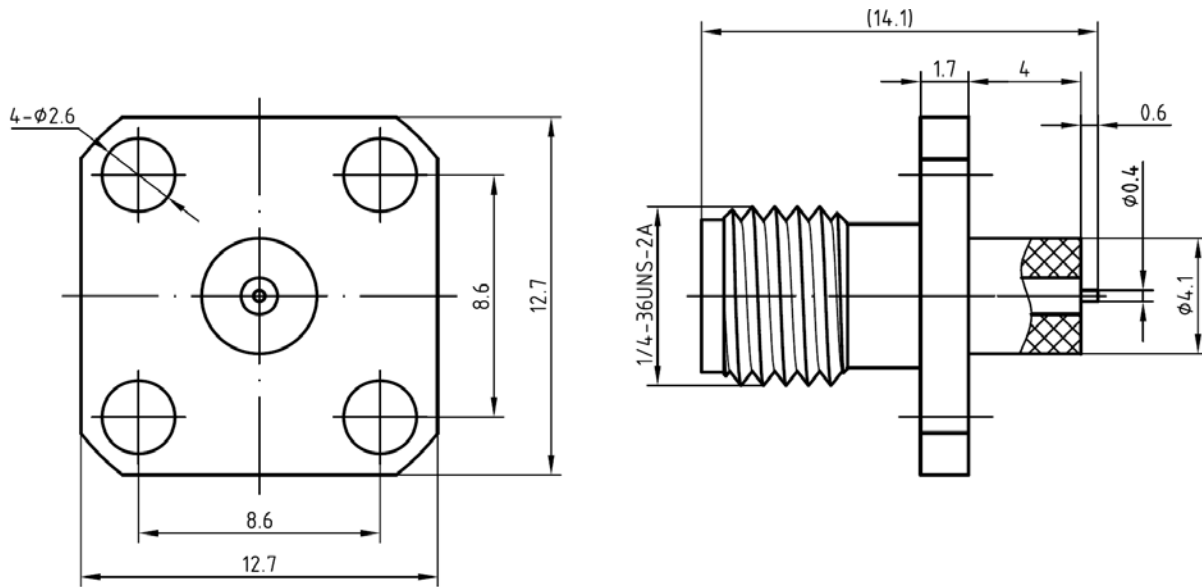
#### Material Data

##### Piece Parts

| Piece Parts    | Material         | Surface Plating( $\mu\text{m}$ ) |
|----------------|------------------|----------------------------------|
| Body           | Brass            | Gold 0.2 over Nickel 2.0         |
| Center contact | Beryllium copper | Gold 0.5 over Nickel 2.0         |
| Insulator      | PTFE             |                                  |

## Coaxial Straight Flange Connector: SMA-232142(4S)

### Outline drawing



### Packaging

Standard

100/Box=10 Bag

Other

Contact us

website

<http://www.rfconnec.com>