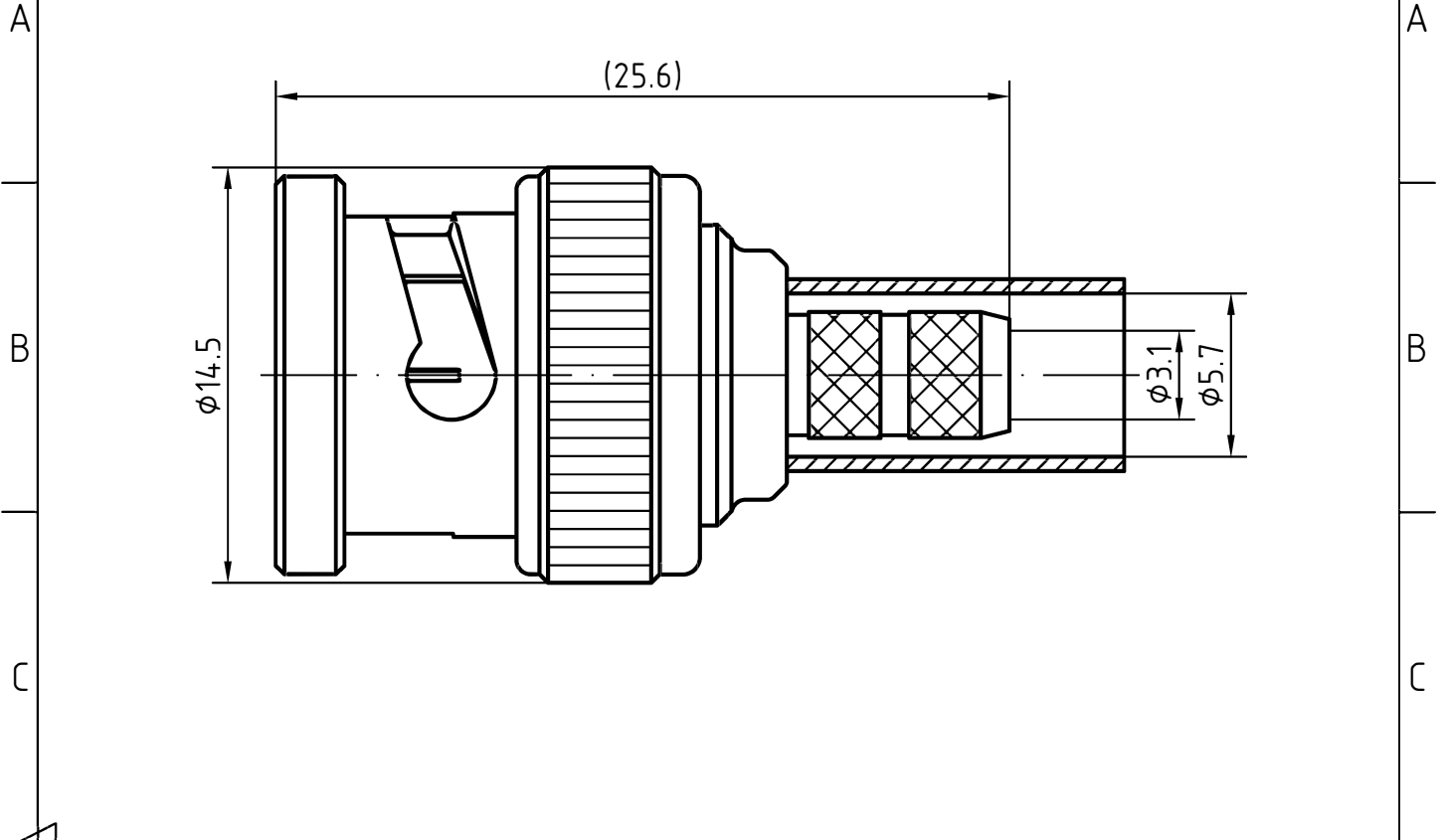
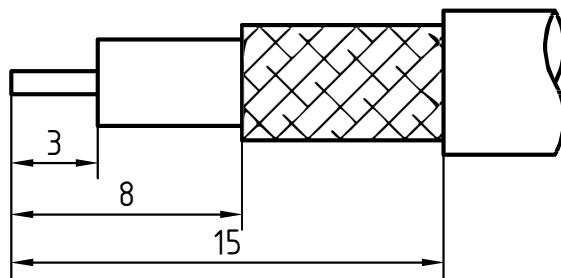


DRAWING



CABLE(RG142B/U, RG223/U, RG400/U)



5	1	Gasket	Silicone rubber
4	1	Coupling nut	Brass/Nickel plated
3	1	Body	Brass/Nickel plated
2	1	Insulator	PTFE
1	1	Center contact	Phosphor bronze/Gold plated

Itemref	Quantity	Title/Name, designation, material, dimension etc	Article No./Reference
---------	----------	--	-----------------------

Designed by Xio Xang	Checked by Jing Lo	Approved by Jing Chan	File name BNC-111100B	Date 06.03.25	Scale 1:1
-------------------------	-----------------------	--------------------------	--------------------------	------------------	--------------

	ÓPÔËFFFFËÓ	
	Edition 1.0	Sheet 1/1

# CHARACTERISTICS

DESCRIPTION: BNC Type male connector

## Electrical characteristics:

Impedance:	50 ohm
Frequency range:	DC to 4 GHz
Return loss:	≥30dB, DC-1GHz ≥25dB, 1-2GHz ≥18dB, 2-4GHz
Insertion loss:	≤0.05 X √f [GHz] dB
Insulation resistance:	≥5000MΩ
Test voltage:	1500 V rms
Working voltage:	400 V rms
Contact resistance:	
1). Centre contact:	1.5 mΩ
2). Outer conductor:	1.0 mΩ
Power handling (at 20 °C, sea level, VSWR 1.0):	80 W @ 2 GHz
<i>- Limitations are possible due to the used cable type -</i>	

## Environmental data:

Temperature rating:	-55 °C to 155 °C
52/95/EC (RoHS):	Compliant

## Mechanical data:

Mating cycles:	≥500
Center contact captivation:	≥ 15 N(axial)

## Suitable cables:

RG142B/U, RG223/U, RG400/U