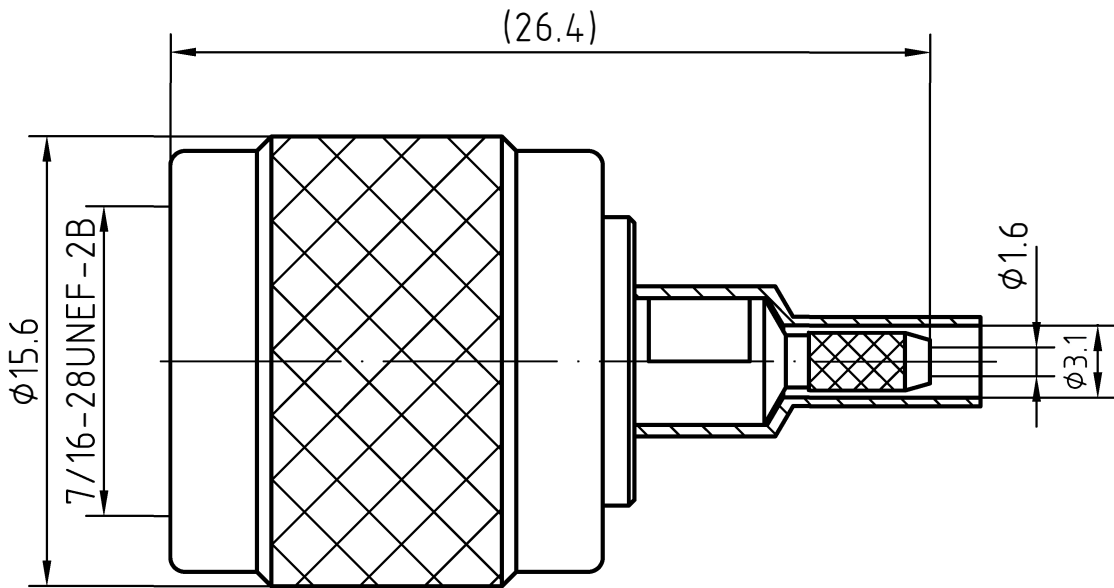
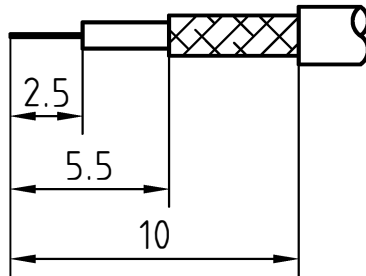


DRAWING



CABLE(RG178/U, RG196/U)



6	1	Ferrule	Copper/Nickel plated
5	1	O ring	Silicone rubber
4	1	Coupling nut	Brass/Nickel plated
3	1	Body	Brass/Nickel plated
2	1	Insulator	PTFE
1	1	Center contact	Brass/Gold plated

Itemref	Quantity	Title/Name, designation, material, dimension etc	Article No./Reference
---------	----------	--	-----------------------

Designed by Xio Xang	Checked by Jing Lo	Approved by Jing Chan	File name TNC-111100A	Date 06.02.26	Scale 5 : 1
-------------------------	-----------------------	--------------------------	--------------------------	------------------	----------------

	TNC-111100A	
	Edition 1.0	Sheet 1/1

# CHARACTERISTICS

DESCRIPTION: TNC Type male connector

## Electrical data:

<i>Impedance:</i>	50 $\Omega$
<i>Frequency range:</i>	DC to 10.0 GHz
<i>VSWR:</i>	$\leq 1.10 + 0.05 \times f[\text{GHz}]$
<i>Insertion loss:</i>	$\leq 0.20 \times \sqrt{f[\text{GHz}]} \text{ dB}$
<i>Insulation resistance:</i>	$\geq 5000 \text{ M}\Omega$
<i>Test voltage:</i>	1500 V rms
<i>Working voltage:</i>	500 V rms
<i>Contact resistance:</i>	
1). Centre contact:	1.5 m $\Omega$
2). Outer conductor:	1.0 m $\Omega$
<i>Power handling (at 20 °C, sea level, VSWR 1.0):</i>	$\leq 80 \text{ W @ 2 GHz}$

## Environmental data:

<i>Temperature rating:</i>	-65 ° C to +165 ° C
<i>2002/95/EC (RoHS):</i>	Compliant

## Mechanical data:

<i>Mating cycles:</i>	$\geq 500$
<i>Center contact captivation:</i>	$\geq 15 \text{ N(axial)}$
<i>Coupling test torque:</i>	$\leq 1.7 \text{ Nm}$
<i>Recommended torque:</i>	0.46 Nm to 0.69 Nm

## Suitable cables:

RG174A/U, RG188A/U, RG316/U