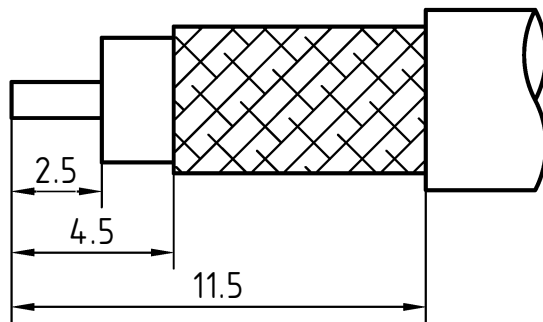


CABLE(RG142B/U, RG223/U, RG400/U)



6	1	Crimp ferrule	Coper alloy/Nickel	
5	1	O ring	Silicon ruber	
4	1	Coulping nut	Brass/Gold plated	Gold 0.2um over Nickel 2.0um
3	1	Body	Brass/Gold plated	Gold 0.2um over Nickel 2.0um
2	1	Insulator	PFTE	
1	1	Center contact	Beryllium copper/Gold plated	Gold 0.5um over Nickel 2.0um
Itemref	Quantity	Title/Name, designation, material, dimension etc		Article No./Reference

Designed by  
xio xang

Checked by  
jing lo

Approved by - date  
jing chan 08.01.24

File name  
SMA-111100B

Date  
08.01.24

Scale  
5 : 1



SMA-111100B

Edition  
1.0  
Sheet  
1/1

# CHARACTERISTICS

DESCRIPTION:

SMA Type male connector

## Electrical data:

<i>Impedance:</i>	<i>50 ohm</i>
<i>Frequency range:</i>	<i>DC to 6.0 GHz</i>
<i>VSWR:</i>	$\leq 1.15 + 0.03 \times f \text{ [GHz]}$
<i>Insertion loss:</i>	$\leq 0.20 \times \sqrt{f \text{ [GHz]}} \text{ dB}$
<i>Insulation resistance:</i>	$\geq 5000 \text{ M}\Omega$
<i>Test voltage:</i>	<i>1000 V rms</i>
<i>Working voltage:</i>	<i>500 V rms</i>
<i>Contact resistance:</i>	

1). *Centre contact:* *3.0 m $\Omega$*

2). *Outer conductor:* *2.0 m $\Omega$*

*Power handling* (at 20 °C, sea level, VSWR 1.0)  $\leq 200 \text{ W @ 2 GHz};$

*RF-leakage*  $\geq 100 \text{ dB up to 1 GHz}$

- *Limitations are possible due to the used cable type* -

## Environmental data:

*Temperature rating:* *-65 ° C to +165 ° C*

*2002/95/EC (RoHS):* *Compliant*

## Mechanical data:

*Mating cycles:*  $\geq 500$

*Coupling nut retention*  $\geq 270 \text{ N}$

*Coupling test torque:*  $\leq 1.7 \text{ Nm}$

*Recommended torque:* *0.46 Nm to 0.69 Nm*

## Suitable cables:

*RG58C/U, RG142B/U, RG223/U, RG400/U*