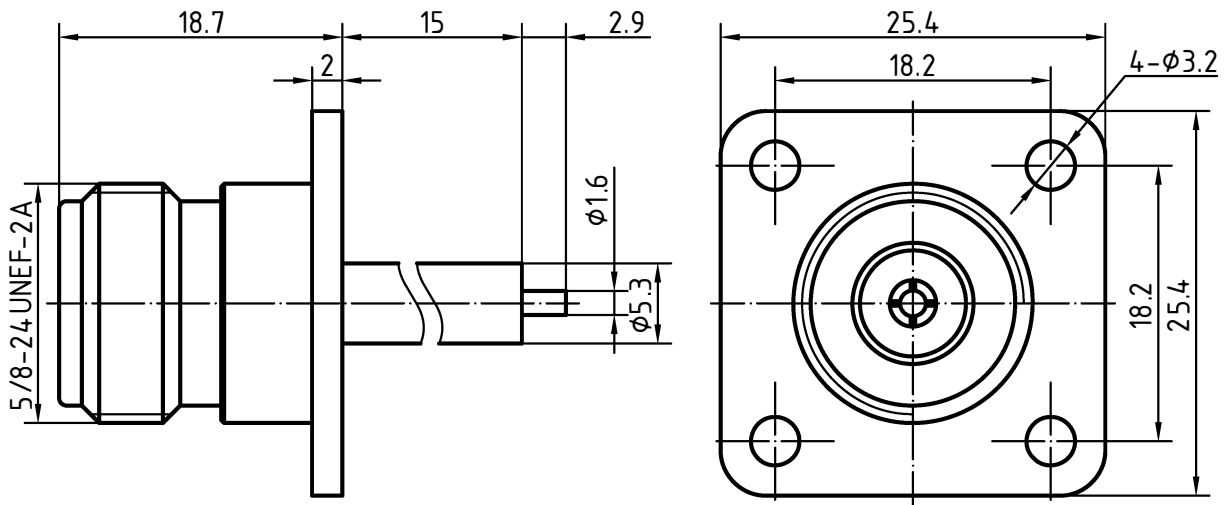
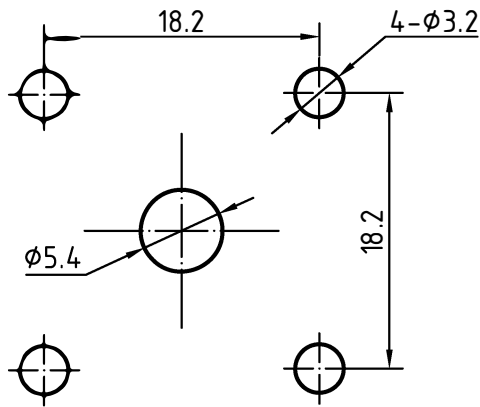


DRAWING



MOUNTING HOLE(H84)



3	1	Body	Stainless steel/Passivated	
2	1	Insulator	PFTE	
1	1	Center contact	Beryllium copper/Gold plated	
Itemref	Quantity	Title/Name, designation, material, dimension etc		Article No./Reference

Designed by Xio Xang	Checked by Jing Lo	Approved by Jing Chan	File name N-232141(25.4)	Date 24.04.16	Scale 3 : 1
-------------------------	-----------------------	--------------------------	-----------------------------	------------------	----------------

	N-232141(25.4)	
	Edition 1.0	Sheet 1/1

CHARACTERISTICS

DESCRIPTION: N Type female FL connector

Electrical data:

<i>Impedance:</i>	50 ohm
<i>Frequency range:</i>	DC to 11.0 GHz
<i>Return loss:</i>	≥35dB, DC-2.5GHz ≥30dB, 2.5-4GHz ≥20dB, 4-8GHz
<i>Insertion loss:</i>	≤0.35dB, DC-8GHz
<i>Insulation resistance:</i>	≥5000MΩ
<i>Test voltage:</i>	2500 V rms
<i>Working voltage:</i>	1400 V rms
<i>Contact resistance:</i>	
1). Centre contact:	1.0 mΩ
2). Outer conductor:	0.25 mΩ
<i>Power handling (at 20 ° C, sea level, VSWR 1.0):</i>	≤ 80 W @ 2 GHz 700 W @ 2 GHz

Environmental data:

<i>Temperature rating:</i>	-55 ° C to +165 ° C
<i>2002/95/EC (RoHS):</i>	Compliant

Mechanical data:

<i>Mating cycles:</i>	≥500
<i>Center contact captivation:</i>	≥28 N(axial) ≥3 Ncm(radial)
<i>Coupling test torque:</i>	≤1.7 Nm
<i>Recommended torque:</i>	0.7 Nm to 1.1 Nm

Suitable cables:

N/A