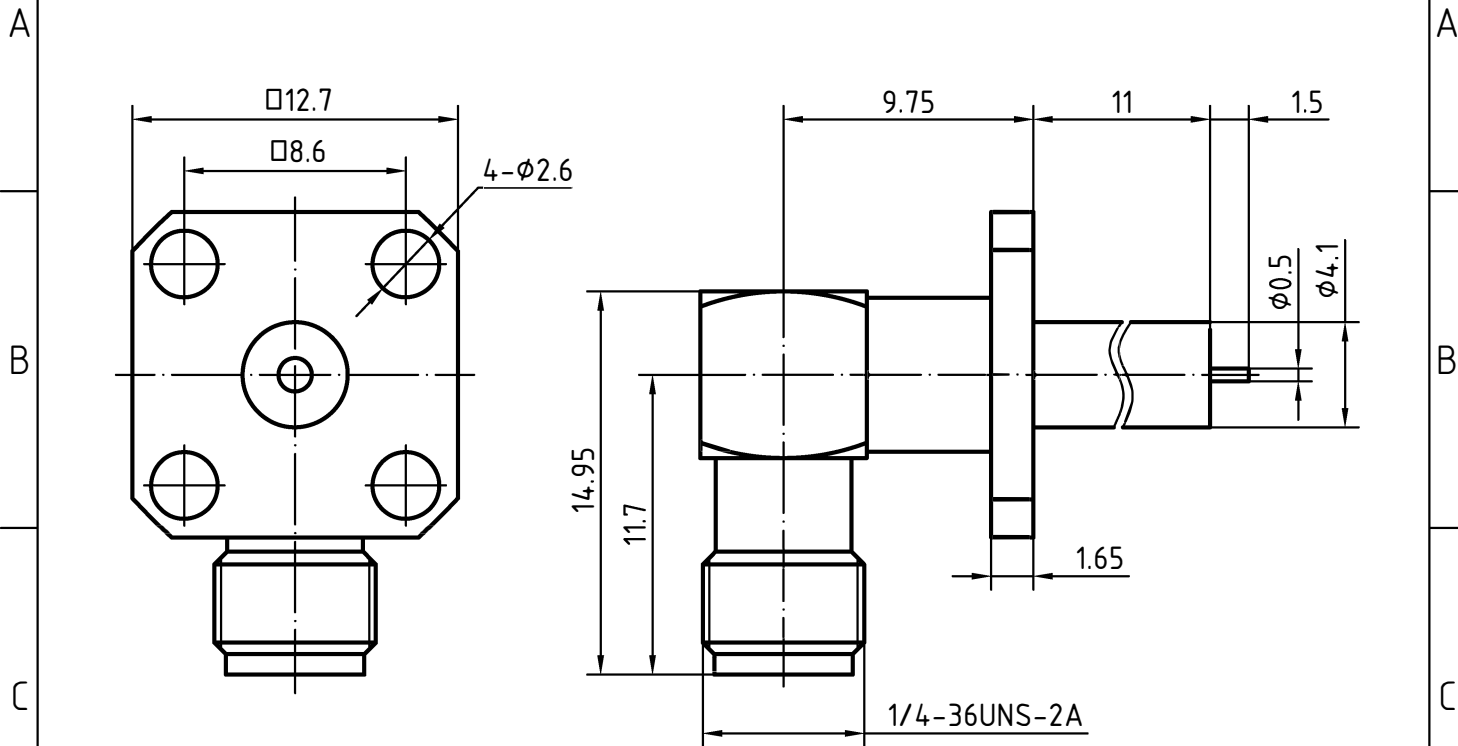
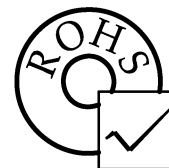
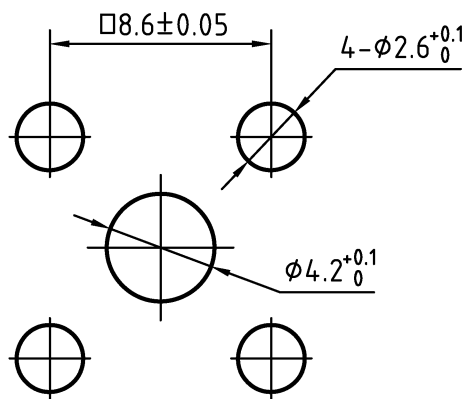


DRAWING



MOUNTING HOLE



3	1	Body	Brass/Gold plated	
2	1	Insulator	PTFE	
1	1	Center contact	Beryllium copper/Gold plated	
Itemref	Quantity	Title/Name, designation, material, dimension etc		Article No./Reference

Designed by Xio Xang	Checked by Jing Lo	Approved by Jing Chan	File name SMA-232242(11S)	Date 23.08.20	Scale 4 : 1
-------------------------	-----------------------	--------------------------	------------------------------	------------------	----------------

	SMA-232242(11S)			
	Edition 1.0	Sheet 1/1		

CHARACTERISTICS

DESCRIPTION:

SMA Type female R/A+FL connector

Electrical data:

<i>Impedance:</i>	50 ohm
<i>Frequency range:</i>	DC to 18.0 GHz
<i>VSWR:</i>	$\leq 1.25:1$
<i>Insertion loss:</i>	≤ 0.25 dB
<i>Insulation resistance:</i>	$\geq 5000M\Omega$
<i>Test voltage:</i>	≥ 1000 V rms
<i>Working voltage:</i>	≤ 480 V rms
<i>Contact resistance:</i>	
1). Centre contact:	≤ 3.0 m Ω
2). Outer conductor:	≤ 2.0 m Ω
<i>RF leakage:</i>	$\leq -(100 - F(\text{GHz}))$ dB

Environmental data:

<i>Temperature rating:</i>	-65 ° C to +165 ° C
<i>2002/95/EC (RoHS):</i>	Compliant

Mechanical data:

<i>Mating cycles:</i>	≥ 100
<i>Center contact captivation:</i>	≥ 20 N(axial)
<i>Coupling test torque:</i>	≤ 1.1 Nm
<i>Recommended torque:</i>	0.46Nm to 0.69 Nm

Suitable cables:

N/A