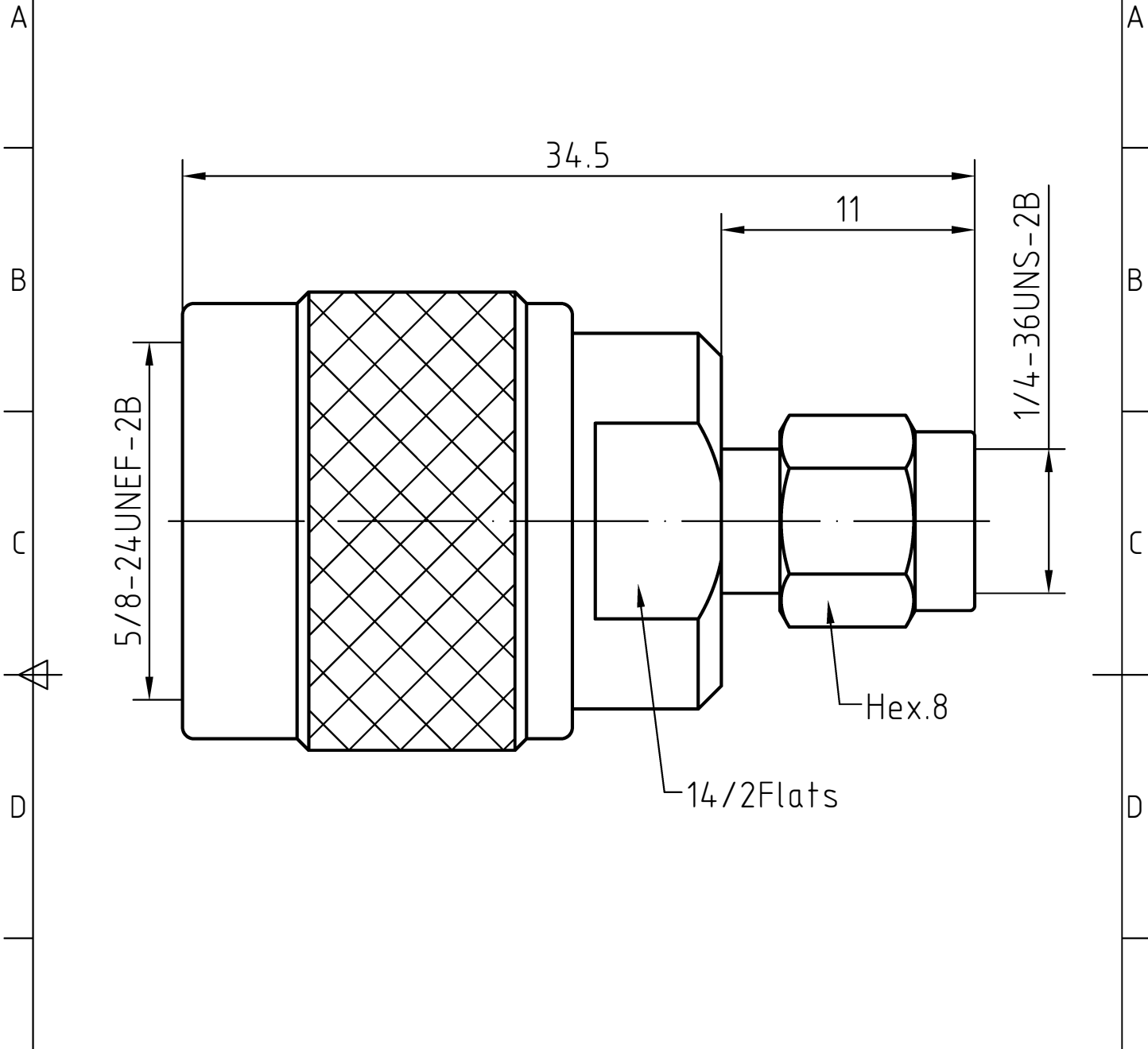



1	2	3	4
RevNo	Revision note	Date	Signature
			Checked



6	2	O ring	Silicone rubber	
5	1	Nut(N)	Brass/Nickel plated	
4	1	Nut(SMA)	Brass/Gold plated	
3	1	Body	Brass/Nickel plated	
2	1	Insulator	PTFE	
1	1	Center contact	Brass/Gold plated	
Itemref	Quantity	Title/Name, designation, material, dimension etc		Article No./Reference

Designed by Xio Xang	Checked by Jing Lo	Approved by Jing Chan	File name N_SMA-1110	Date 08.07.10	Scale 4 : 1
-------------------------	-----------------------	--------------------------	-------------------------	------------------	----------------

	N_SMA-1110	
	Edition 1.0	Sheet 1/1

CHARACTERISTICS

DESCRIPTION:

N plug to SMA plug adaptor

Electrical data:

Impedance:	50 ohm
Frequency range:	DC to 12.4 GHz
VSWR:	≤1.20
Insertion loss:	≤0.15dB
Insulation resistance:	≥5000MΩ
Test voltage:	1000 V rms
Working voltage:	480 V rms
Contact resistance:	
1). Centre contact:	1.00 mΩ N side 3.0 mΩ SMA side
2). Outer conductor:	0.25 mΩ N side 2.0 mΩ SMA side
Power handling (at 20 °C, sea level, VSWR 1.0)	≤ 200 W @ 2 GHz

Environmental data:

Temperature rating:	-65 °C to 165 °C
2002/95/EC (RoHS):	Compliant

Mechanical data:

Mating cycles:	≥500
Center contact captivation:	≥15 N(axial)
Recommended torque:	0.7 Nm to 1.1 Nm

Suitable cables:

N/A