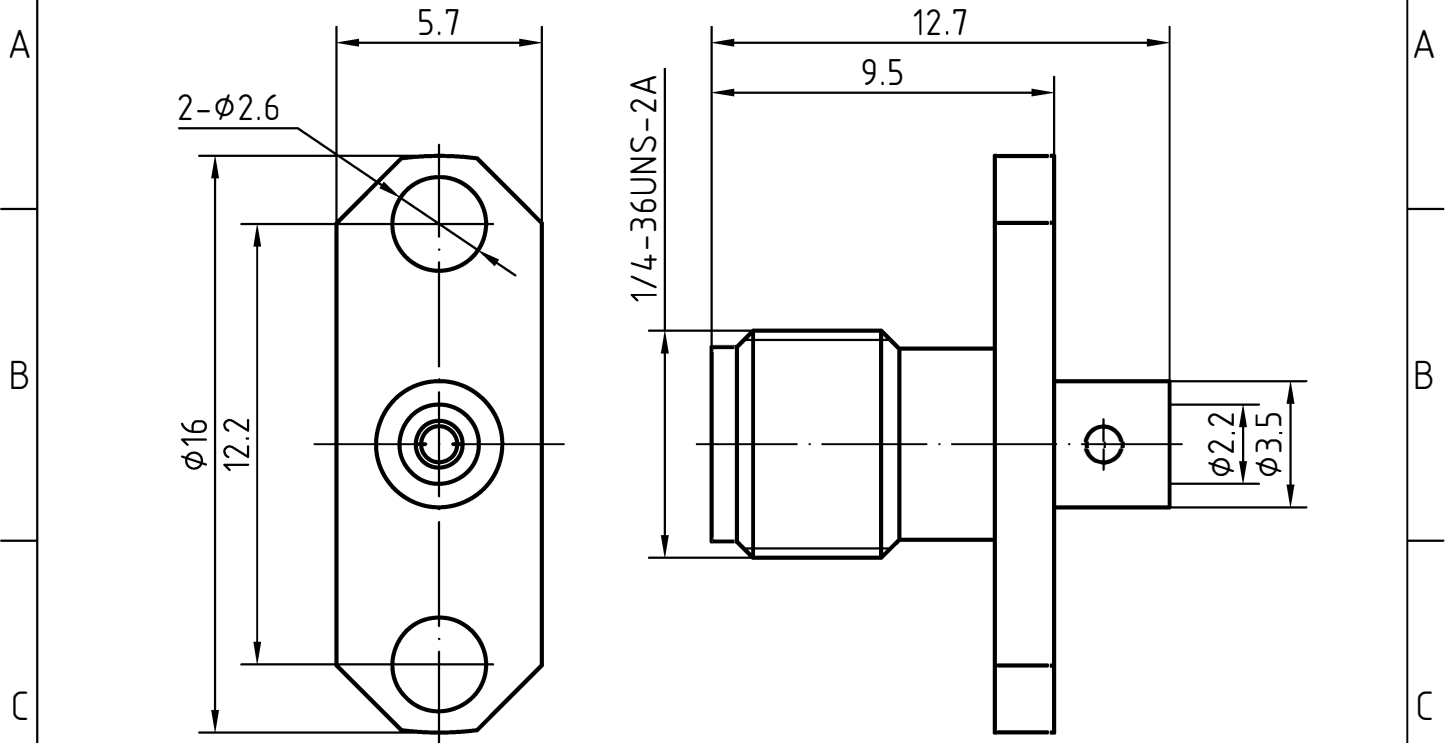
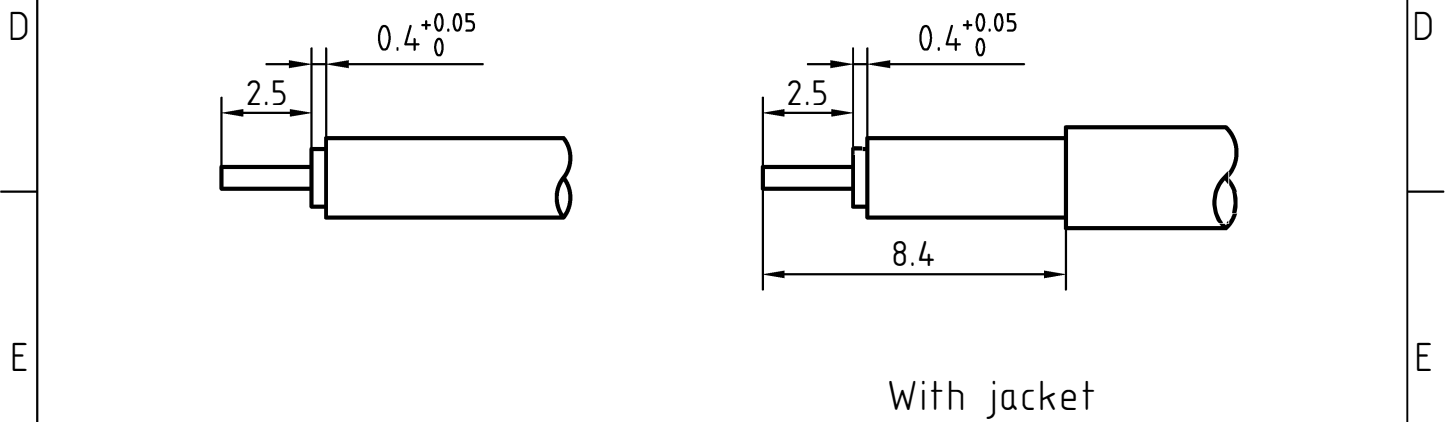


DRAWING



CABLE(UT086, RG405)



3	1	Body	Brass/Gold plated
2	1	Insulator	PTFE
1	1	Center contact	Beryllium copper/Gold plated

Designed by Xio Xang	Checked by Jing Lo	Approved by Jing Chan	File name SMA-132120F	Date 07.04.05	Scale 6 : 1
-------------------------	-----------------------	--------------------------	--------------------------	------------------	----------------

	SMA-132120F	
	Edition 1.0	Sheet 1/1

CHARACTERISTICS

DESCRIPTION: SMA Type female FL connector(2 Holes)

Electrical data:

<i>Impedance:</i>	<i>50 ohm</i>
<i>Frequency range:</i>	<i>DC to 18.0 GHz</i>
<i>VSWR:</i>	$\leq 1.04 + 0.02 \times f \text{ [GHz]}$
<i>Insertion loss:</i>	$\leq 0.10 \times \sqrt{f \text{ [GHz]}} \text{ dB}$
<i>Insulation resistance:</i>	$\geq 5000 \text{ M}\Omega$
<i>Test voltage:</i>	<i>1000 V rms</i>
<i>Working voltage:</i>	<i>480 V rms</i>
<i>Contact resistance:</i>	
1). <i>Centre contact:</i>	<i>3.0 mΩ</i>
2). <i>Outer conductor:</i>	<i>2.0 mΩ</i>
<i>Power handling</i> (at 20 °C, sea level, VSWR 1.0)	$\leq 200 \text{ W @ 2 GHz};$
<i>RF-leakage</i>	$\geq 100 \text{ dB up to 1 GHz}$

- Limitations are possible due to the used cable type -

Environmental data:

<i>Temperature rating:</i>	<i>-65 ° C to +165 ° C</i>
<i>2002/95/EC (RoHS):</i>	<i>Compliant</i>

Mechanical data:

<i>Mating cycles:</i>	≥ 500
<i>Coupling nut retention</i>	$\geq 270 \text{ N}$
<i>Coupling test torque:</i>	$\leq 1.1 \text{ Nm}$
<i>Recommended torque:</i>	<i>0.46 Nm to 0.69 Nm</i>

Suitable cables:

UT086, RG405