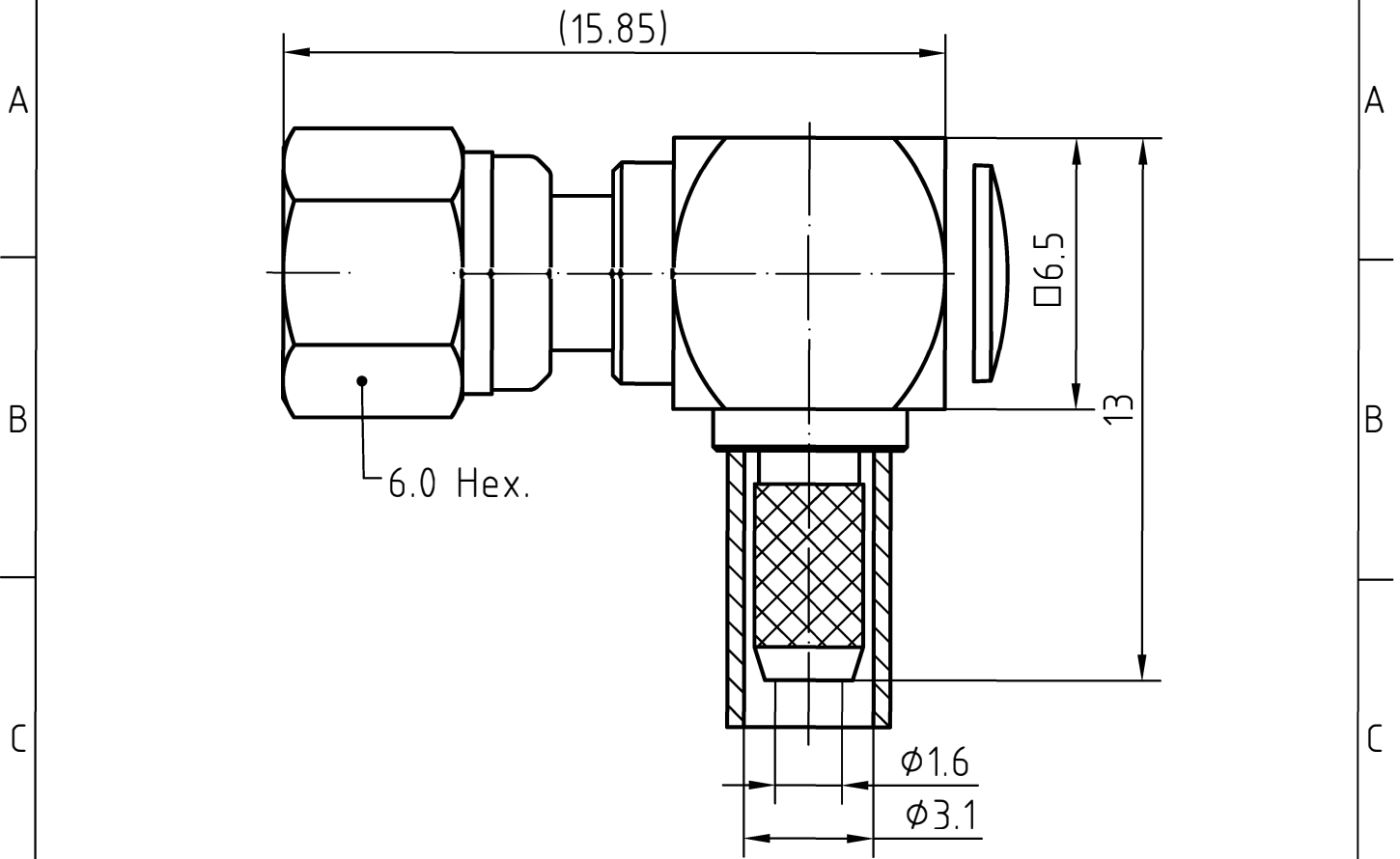
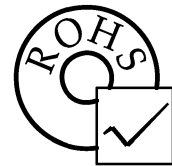
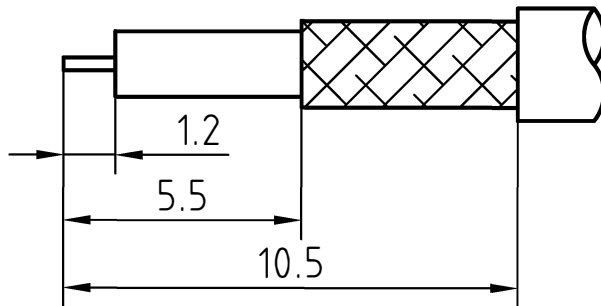


DRAWING



CABLE(RG174A/U, RG188A/U, RG316/U)



4	1	Coupling nut	Brass/Gold plated	
3	1	Body	Brass/Gold plated	
2	1	Insulator	PTFE	
1	1	Center contact	Beryllium copper/Gold plated	
Itemref	Quantity	Title/Name, designation, material, dimension etc		Article No./Reference

Designed by Xio Xang	Checked by Jing Lo	Approved by Jing Chan	File name SM C-112200A	Date 18.08.11	Scale 6 : 1
-------------------------	-----------------------	--------------------------	---------------------------	------------------	----------------

SM C-112200A

Edition 1.0	Sheet 1/1
----------------	--------------

CHARACTERISTICS

DESCRIPTION:

SMC Type female R/A connector

Electrical data:

<i>Impedance:</i>	50 ohm
<i>Frequency range:</i>	DC to 10.0 GHz
<i>VSWR:</i>	$\leq 1.20 + 0.05 \times f[\text{GHz}]$
<i>Insertion loss:</i>	$\leq 0.25 \times \sqrt{f[\text{GHz}]} \text{ dB}$
<i>Insulation resistance:</i>	$\geq 1000\text{M}\Omega$
<i>Test voltage:</i>	750 V rms
<i>Working voltage:</i>	335 V rms
<i>Contact resistance:</i>	
1). Centre contact:	5.0 m Ω
2). Outer conductor:	2.5 m Ω
<i>RF-leakage:</i>	- (62 - F(GHz)) dB Maxi

Environmental data:

<i>Temperature rating:</i>	-65 ° C to +165 ° C
<i>2002/95/EC (RoHS):</i>	Compliant

Mechanical data:

<i>Mating cycles:</i>	≥ 500
<i>Center contact captivation:</i>	$\geq 150 \text{ N}$
<i>Coupling test torque:</i>	$\leq 0.71 \text{ Nm}$
<i>Recommended torque:</i>	0.25 Nm to 0.35 Nm

Suitable cables:

RG174A/U, RG188A/U, RG316/U